

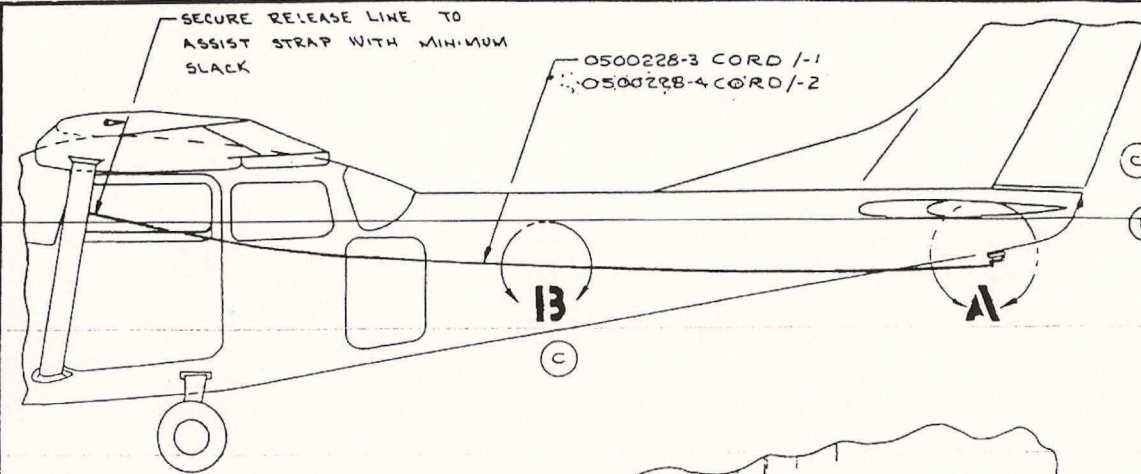
## IMPORTANT - READ BEFORE USE

Wings Unlimited makes no representations or warranties as to the completeness or accuracy of the information.

Information is supplied upon the condition that the persons receiving same will make their own determination as to its suitability for their purposes prior to use. In no event will Wings Unlimited be responsible for damages of any nature whatsoever resulting from the use of or reliance upon information from this drawing or the products to which the information refers.

Wings Unlimited does not warrant the accuracy or timeliness of the materials on this drawing and has no liability for any errors or omissions in the materials.

THIS DRAWING IS PROVIDED ON AN "AS IS" BASIS. NO REPRESENTATIONS OR WARRANTIES, EITHER EXPRESS OR IMPLIED, OF MERCHANTABILITY, FITNESS FOR A PARTICULAR PURPOSE OR OF ANY OTHER NATURE ARE MADE HEREUNDER WITH RESPECT TO INFORMATION OR THE PRODUCTS TO WHICH INFORMATION REFERS.



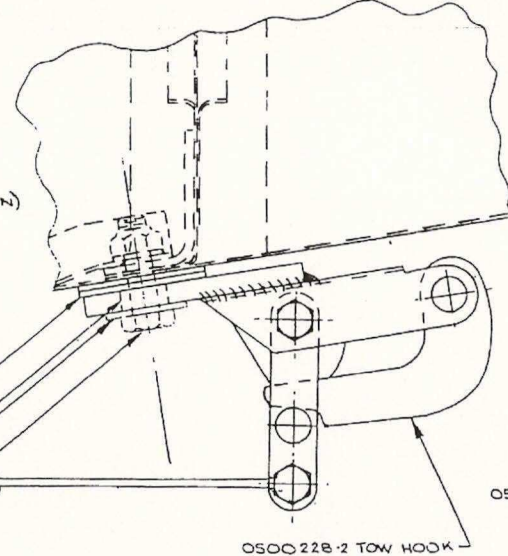
NOTE:

1. M22344 EYEBOLT MAY BE USED IN PLACE OF AN5-7A BOLT
2. REMOVE EXISTING AN525-10RB SCREW USED FOR AIRCRAFT LEVELING WHEN 1211203-1 EYEBOLT IS INSTALLED.
3. MAXIMUM BREAKING STRENGTH OF THE TOWLINE IS NOT TO EXCEED 1200 LBS.

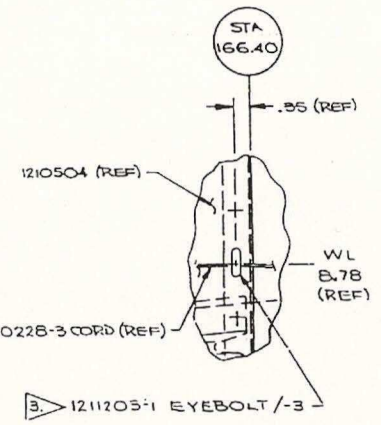
CHG LET	REVISION	BY DATE	CHK APPD
A	BY REV: ADD -2 & SEPARATE PARTS LIST SR5707 III	LKW 8-7-66	WJR
B	BY REV: DELETE NOTE 2; ADD 0500228-5, S-1450-5-14-063; AN960-516L WAS AN970-5, TITLE WAS GLIDER TOW HOOK INSTALLATION (SCHWEIZER)	WJR 6-12-70	WJR
C	BY REV: ADD -3, DETAIL "B"; NOTE 3, SER 210 B9200 & ON II	PLM 10-14-70	WJR
D	BY REV: MS21042L5 WAS NAS679A5 (ITEM IN S-1000)	CM 3-1-74	SAH
E	BY REV: REACTIVATE DWG, -1, -2 & -3; 'NOW SHOP PRACTICE'	RML 5-23-78	PLM
F	BY REV: ADD NOTE 4.	11-26-80 LWF	LER

- 1 GLIDER TOW HOOK HSTL (SCHWEIZER)
- A 2 GLIDER TOW HOOK INSTL (SAME AS -1 EXCEPT AS SHOWN)
- C 3 GLIDER TOW HOOK INSTL (SAME AS -1 EXCEPT AS SHOWN IN DETAIL "B")

- AN970-5 WASHER (2)
- B 0500228-5 BUSHING
- B S-1450-5-14-063 WASHER
- 1 AN5-7A BOLT
- B AN960-516L WASHER
- D MS21042L5 NUT



DETAIL A  
FULL SCALE



C DETAIL B  
(APPLIES TO -3 ONLY)  
HALF SCALE

0712643

NO REQ/NEXT ASSY		EFFECTIVE SERIALS	ZONE	PART NUMBER	DESCRIPTION	DIA	THICK	WIDE	LG	MATERIAL	HEAT TREAT	FINISH	REV
					SEE SEPARATE PL								
LIST OF MATERIAL													
207													
206													
206													
205													
210													
182													
NEXT ASSY	USED ON	NEXT ASSY	FINAL ASSY										
APPLICATION	QTY REQD												

UNLESS OTHERWISE SPECIFIED DIMENSIONS ARE IN INCHES TOLERANCES ARE DECIMALS ANGLES

200 ±.03	MACH	FORMED	±.2
200 ±.01	±.030		
DO NOT SCALE PRINT			

FOR HOLES, DRILLS, ETC., SEE CES 102 FOR BASIC CODES. SEE HAS 523

B-NM820470AD B-NM820426AD

CES-1000 IS APPLICABLE

UNLESS OTHERWISE SPECIFIED DIMENSIONS ARE IN INCHES TOLERANCES ARE DECIMALS ANGLES

GROUP	DRYER	10-9-66	TITLE
CHECK	Engel	12-7-68	TOW HOOK INSTALLATION - GLIDER, SCHWEIZER
STRICK	E. Miller	12-20-68	
PROJ	W. R. G. / J. R. G.	12-20-68	

SCALE: 1/4" = 1" UNLESS NOTED

SHEET 1

Cessna

DWG NO: 0712643